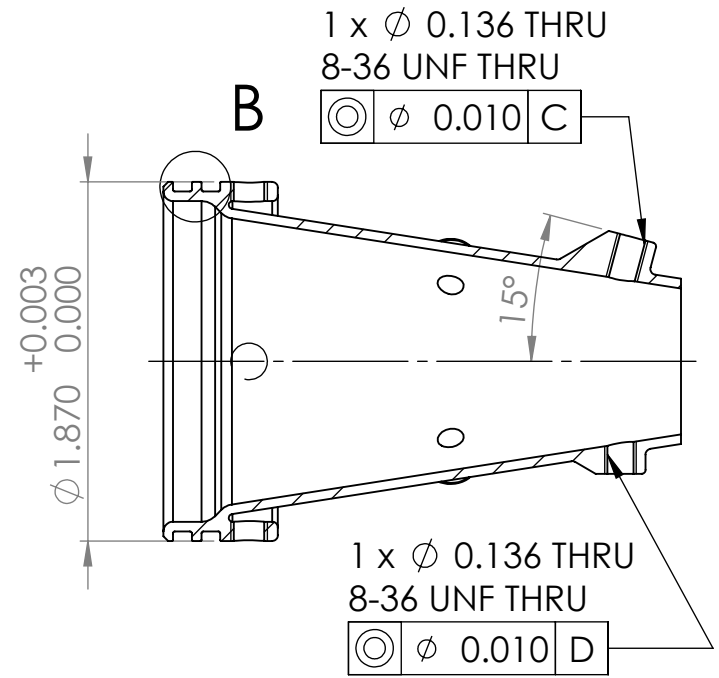
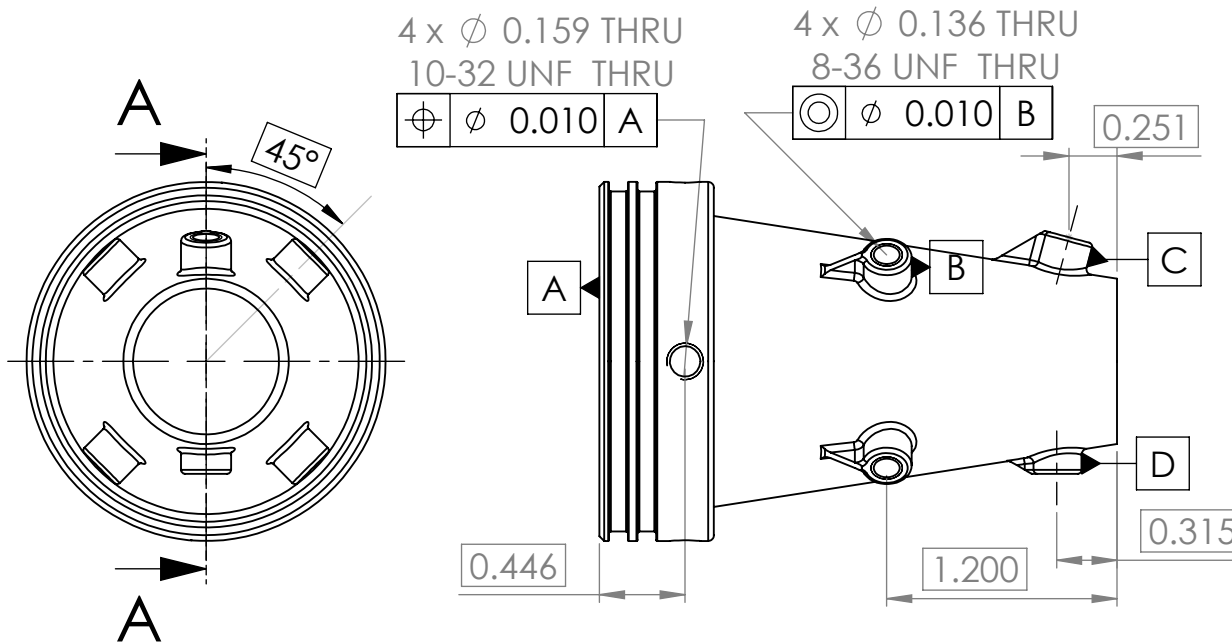
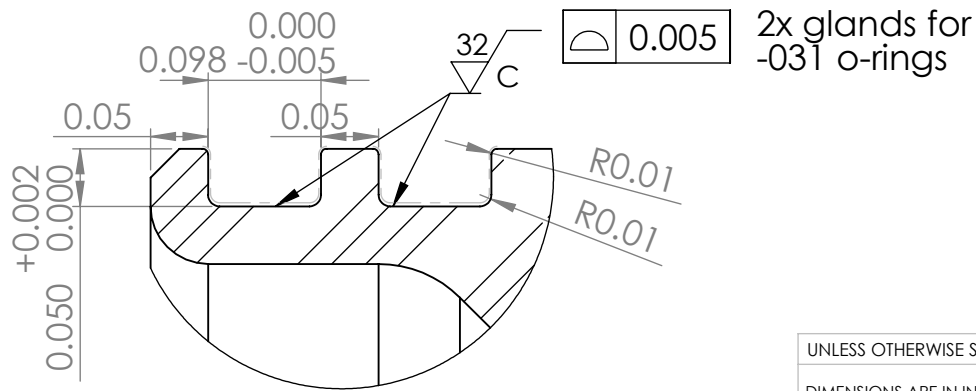


NOTES:

1. Undimensioned geometry per STEP file, ± 0.010




SECTION A-A



DETAIL B
SCALE 6 : 1

© Massachusetts Institute of Technology,
Department of Aeronautics and Astronautics

UNLESS OTHERWISE SPECIFIED:		NAME	DATE	
DIMENSIONS ARE IN INCHES		3D DESIGN	KJM 2020-03-06	
TOLERANCES:		DRAWING	KJM 2020-03-06	
ANGULAR ± 1°		DRW. CHECK	XX YYYY-MM-DD	
THREE PLACE DECIMAL ±0.005		COMMENTS:		SIZE DWG. NO. REV A FF-TC2-02-001 0
TWO PLACE DECIMAL ±0.010				
INTERPRET GEOMETRIC TOLERANCING PER ASME Y14.5-2009				SCALE: 1:1
MATERIAL				WEIGHT:
Ti-6Al-4V				SHEET 1 OF 1
FINISH				
As printed, unless specified				
DO NOT SCALE DRAWING				